

Product Datasheet



The global certified BLK-600-C is a non-isolated high efficiency smart LED driver. 10kV surge protection level, 100khour long life and 5-year warranty provide high confidence to luminaire users. It supports not only traditional 4-in-1 control, but also DALI2.0 and other protocols. NFC and cable programming are both available for users. All around protections including digital OTP (internal and external by NTC) with auto-recovery secure 24hour non-stop operation for luminaires.

- Horticultural
- Stadium
- Flood
- Harbor
- UV
- Fishing



- Features 2
- Model List 2
- Technical Data 3
- Safety/EMC Compliance 4
- Dimming 4
- Programming 6
- Lifetime vs. Case Temperature 8
- Power Factor vs. Load 8
- THD vs. Load 9
- Efficiency vs. Load 9
- Inrush Current 11
- Dielectric Strength 11
- Tc Point 12
- Packaging Information 12
- Mechanical Design 13
- Output Operation Range 16
- Revision History 17

■ Features

- Supply Voltage: 100~305Vac, 380Vac for 2 hours
- 97% Efficiency Max.
- Non-isolated Design
- Output Cable with Ground Wire (Optional)
- Low Inrush Current
- 100,000Hour Life @ Tc=75°C
- 5 Year Warranty @ Tc<=75°C
- Airset™ NFC Programmability
- +/-2% Output Current Accuracy
- Isolated 0-10V/PWM/Time/DALI2.0 Dimmable
- Glow-free Dim Off
- 0.5W Standby Power (220Vac)
- 12V 300mA Auxiliary Power to Power Controllers and Fans
- UL Class P
- Safety according to UL8750, EN 61347-1, 61347-2-13, 62384

■ Model List

Model Number	Input Voltage Range	Output Power	Output Voltage	Full Power Settable Current Min	Full Power Settable Current Max
BLK-600-C210-XYZ	100~ 305 Vac	600 W	171-353Vdc	1700mA	2100mA
BLK-600-C280-XYZ	100~ 305 Vac	600 W	129-286Vdc	2100mA	2800mA
BLK-600-C360-XYZ	100~ 305 Vac	600 W	100-214Vdc	2800mA	3600mA

XY=	Dimming Method	Programmable	12Vaux	Dim-off
EN	0-10V/PWM/Time/Resistor	Cable	300mA	√
ER	0-10V/PWM/Time/Resistor	NFC Wireless	300mA	√
AR	DALI2.0	NFC Wireless	-	√
MR	RDM + DMX	NFC Wireless	-	√

Z=	U	V	S	W	D
Input Cable	3 pin UL cable with ground	3 pin UL cable with ground	3 pin VDE cable with ground	3 pin VDE cable with ground	2 pin VDE cable without ground
Output Cable	2 pin UL cable without Ground	3 pin UL cable with ground	2 pin VDE cable without ground	3 pin VDE cable with ground	2 pin VDE cable without ground
Certified with	UL Listed Class P FCC 120-277Vac	UL Listed Class P FCC 120-277Vac	ENEC CB RCM Class I 120-277Vac	ENEC CB RCM Class I 120-277Vac	Class II 120-277Vac

■ Technical Data

Input Voltage	108~305Vac, 380Vac for 2 hours
Input Frequency	47~63Hz
Power Factor	>0.95@60-100%load, refer to PF vs. Load curve
THD	<15%@70-100%load, refer to THD vs. Load curve
Input Current	5Amax@120Vac & Full-Load, 2.9Amax@220Vac & Full-Load
Inrush Current	See Inrush Current Section in the datasheet
Leakage Current	0.75MIU max @277Vac 60Hz, UL8750 0.7mA max @240Vac 50/60Hz, IEC60598-1
Input Under Voltage	Shut down and auto-restart
Surge Protection	Line to line 6kV, line to ground 10kV, IEC 61000-4-5
Current Accuracy	±2%lo for programmable model, ±5%lo for non-programmable model
Ripple Current	l _{pk-pk} : low frequency (<=3kHz) 1%lo typ., 2%lo max. high frequency (>3kHz) 12%lo typ., 15%lo max.
TLA (Temporal Light Artifacts)	PstLM<0.02, SVM<0.05, IEC-61547-1
Percent Flicker	1% max. Broadcasting level, GB/T-38539-2020
Setup Time	1.2s max
Overshoot	10% lo max & LED Load
Output Over Voltage	120% Vomax, typ.
Short Circuit	Auto recovery. The output recovers when short is removed.
Over Temperature	Lower the output current when $T_c \geq 105 \pm 10^\circ\text{C}$; Auto Recovery When $T_c \leq 70 \pm 10^\circ\text{C}$
Auxiliary Power (Vaux)	12V+/-5%, 300mA max
Operating Temperature	Case Temperature $T_c = -40^\circ\text{C} \sim +90^\circ\text{C}$; 10%RH~100%RH
Storage Temperature	-40°C~+85°C; 5%RH~100%RH
MTBF	≥280,000 hours, 75°C case temperature (MIL-HDBK-217F)
Lifetime	≥100,000 hours, 75°C case temperature, refer to life vs. Tc curve
Case Temperature	90°C max, marked in the Tc point of label
Dimension	207x 125 x 49 by mm (body), 232 x 125 x 49 by mm (endcaps included)
Net Weight	2270g
Packing	See Package Information Section in the datasheet

Notes: Unless specified, all the test results are measured in 25°C room temperature.

■ Safety/EMC Compliance

Safety Standards	Description
UL8750	Light emitting diode(LED) equipment for use in lighting products
UL1012	Power units other than class 2
IEC 61347-1	Lamp control gear Part 1: general and safety requirements
IEC 61347-2-13	Lamp control gear Part 2-13: particular requirement for d.c. or a.c. supplied electronic control gear for LED modules
IEC 62384	DC or AC supplied electronic control gear for LED modules - Performance requirements
IEC 55015/FCC Part 15	Conducted emission test & radiated emission test; ANSI C63.4:2009 Class B
IEC 61000-3-2	Harmonic current emissions; Class C
IEC 61000-3-3	Voltage fluctuations & flicker
IEC 61000-4-2	Electrostatic discharge (ESD): 8 kV air discharge, 4 kV contact discharge
IEC 61000-4-3	Radio frequency electromagnetic field susceptibility test (RS)
IEC 61000-4-4	Electrical fast transient (EFT)
IEC 61000-4-5	Surge immunity test
IEC 61000-4-6	Conducted radio frequency disturbances test (CS)
IEC 61000-4-8	Power frequency magnetic field test
IEC 61000-4-11	Voltage dips
IEC 61547	Electromagnetic immunity requirements applies to lighting equipment

■ Dimming

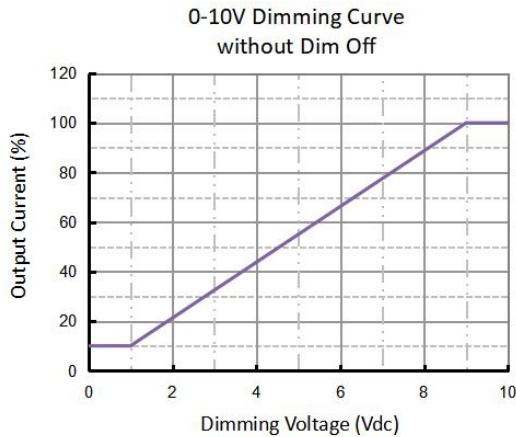
Parameter	Min.	Typ.	Max.
Vdim Sourcing Current	100uA	150uA	200uA
Vdim Allowed Input Voltage	-20 V		20 V
0-10V Dimming Range	10% (Vdim=1V)	Linear	100% (Vdim=9~10V)
PWM Dimming Range	10% (Duty=10%)	Linear	100% (Duty=90-100%)
Default Dim off Threshold	0.4V or 4%	0.5V or 5%	0.6V or 6%
Default Dim off Threshold	0.6V or 6%	0.7V or 7%	0.8V or 8%
PWM High	3.8V		9V
PWM Low	0V		0.6V
PWM Frequency	300Hz		2kHz
DALI Interface Standard	IEC62386, part 101,102,207		
DA1,DA2 High Level	9.5	16	22.5
DA1,DA2 Low Level	-6.5	0	6.5
DA1,DA2 Current	0		2mA
DMX+ & DMX- Voltage	-6V		6V
DMX to Ground Resistance	25Mohm		
Logic 0/1 (DMX+ to DMX-) Threshold		0.2V	
Communication Baud Rate		250kbps	
Fast Dimming On-Off Transition		50ms	
Fast Dimming 10-100% Io Transition		30ms	

- Quick Flashing

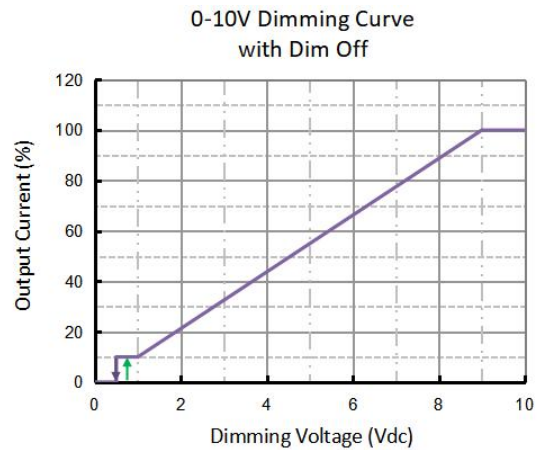
Parameter	Min.	Typ.	Max.
0-10V Dimming Models	-	-	30fps
DALI and DMX Dimming Models	-	-	44fps

- Default Dimming Curves

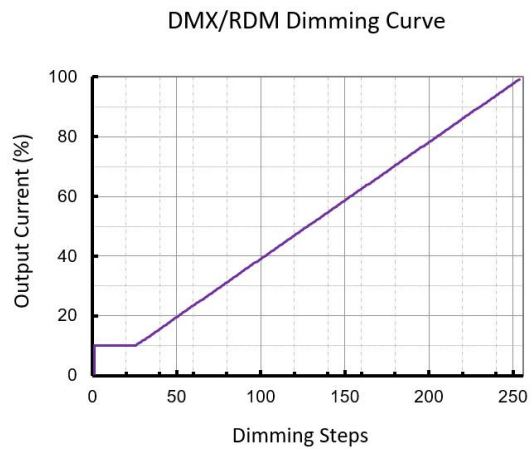
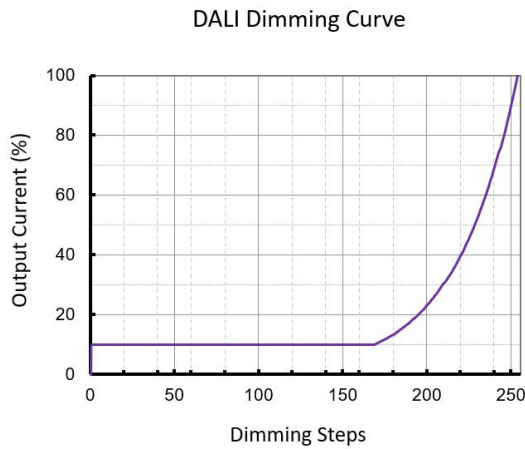
a. 0-10V dimming without dim-off



b. 0-10V dimming with dim-off



c. DALI and DMX dimming curves

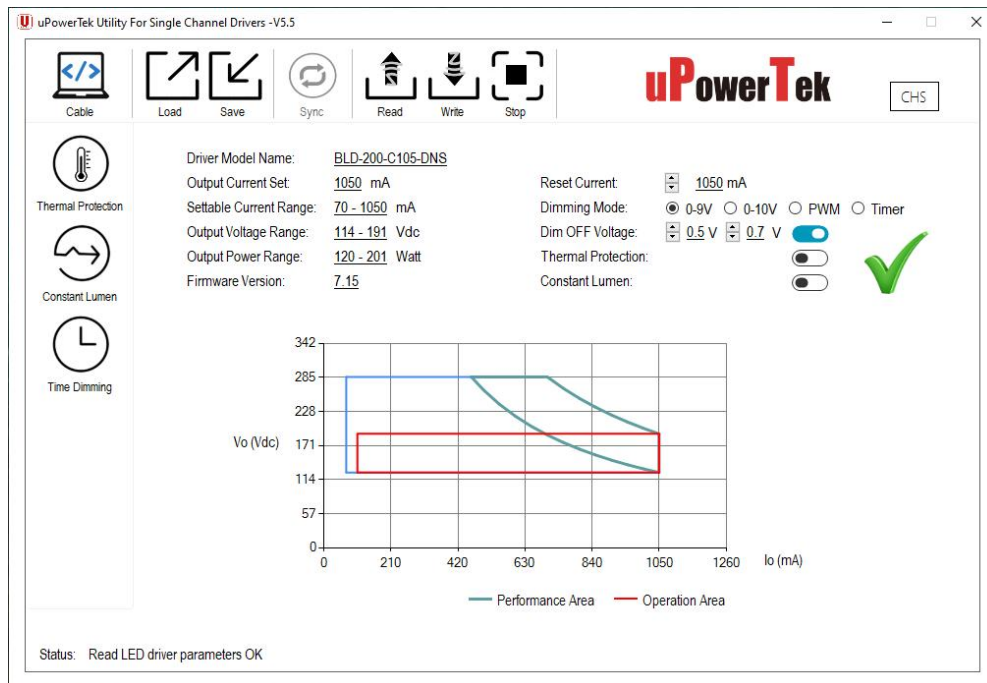


Note: Both DALI and DMX dimming curves can be customized to be linear or logarithmic as default.

■ Programming

- Programmable Functions

uPowerTek LED drivers offer a range of configurable functions to meet specific lighting requirements. The Output Current, Dimming Mode, Dim Off/On Voltage Threshold, and Timer Dimming can be set as basic programming functions. Constant Lumen Output (CLO) can also be customized to ensure consistent light performance. Additionally, depending on the different product model numbers, users can benefit from programming Thermal Protection by external NTC (with extra cable), DALI/D4i Features, and DMX addressing.



uPowreTek Programming Software Interface

- Required Equipment

To program uPowerTek LED drivers, users will need specific equipment based on their preferred method. For wired programming, the uPowerTek Cable Programmer is essential. For NFC wireless programming, users can use a smartphone with either IOS or Android, the uPowerTek NFC Programmer, or the FEIG NFC Programmers. These tools ensure a seamless and efficient setup process, realizing precise customization of the LED driver settings.



Cable Programmer



NFC Programmer V1



NFC Programmer V2



FEIG NFC Programmer



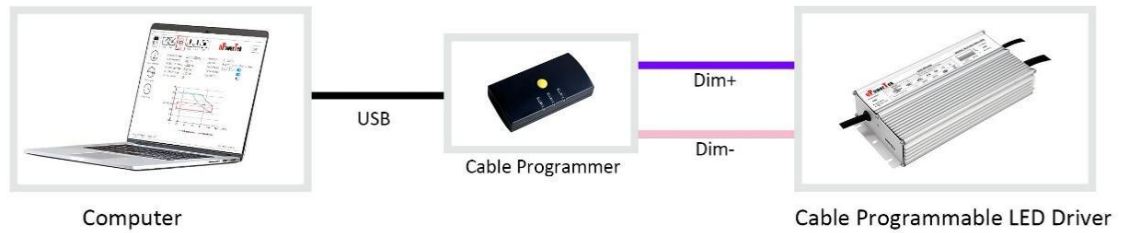
Android or iPhone

600W, 120-277Vac Input, Non-isolated LED Driver

- Connection Guide

This guide provides simple connection diagrams to help users understand the programming system. For more detailed operating instructions, including step-by-step procedures and additional configurations, please visit our website. You can download the comprehensive user manual and necessary software from the following link:

<https://www.upowertek.com/download-2/>.



Wired Programming

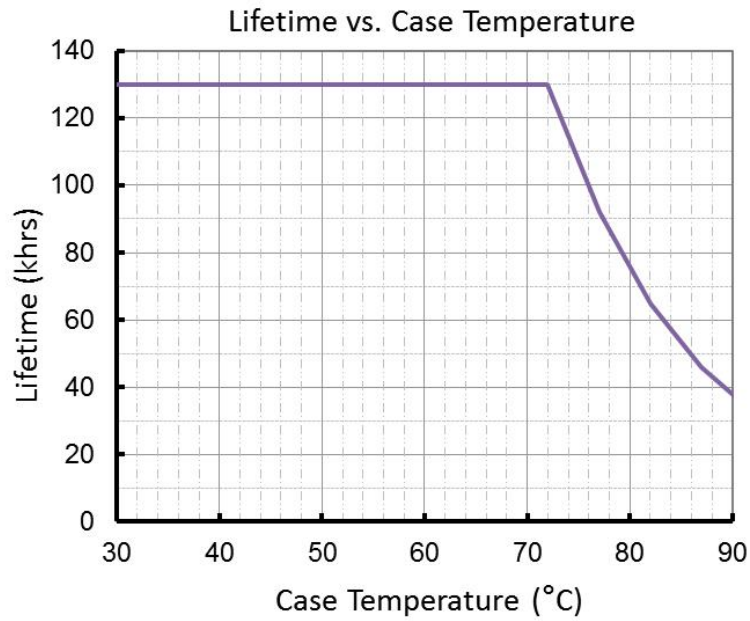


Wireless Programming



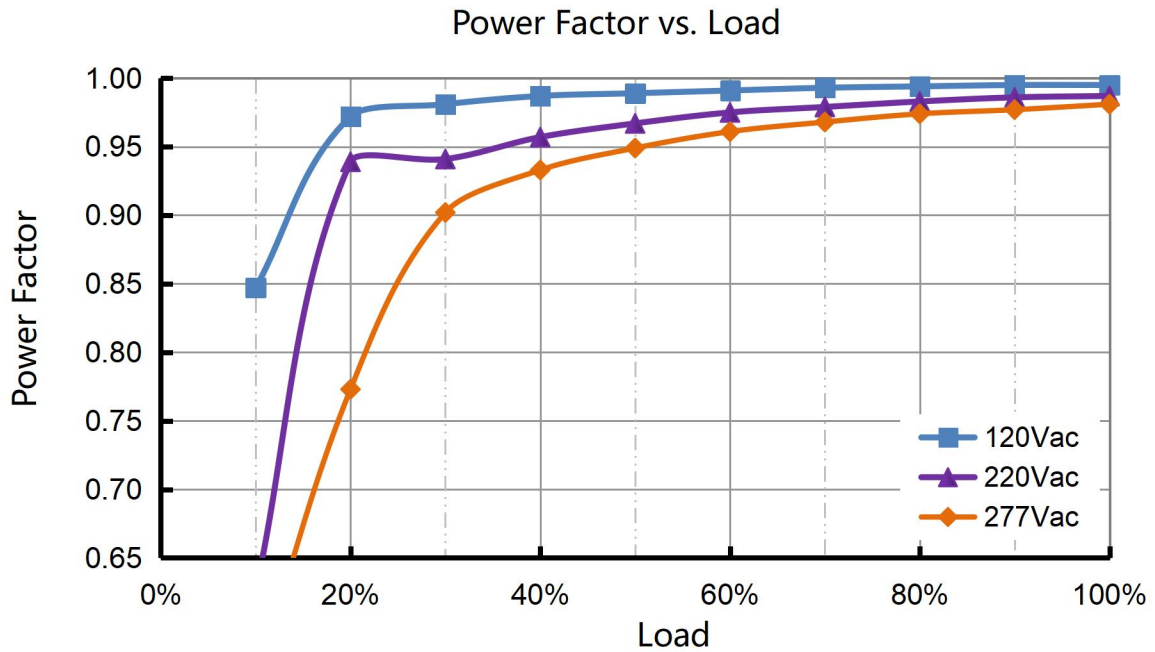
Cellphone Programming

■ Lifetime vs. Case Temperature

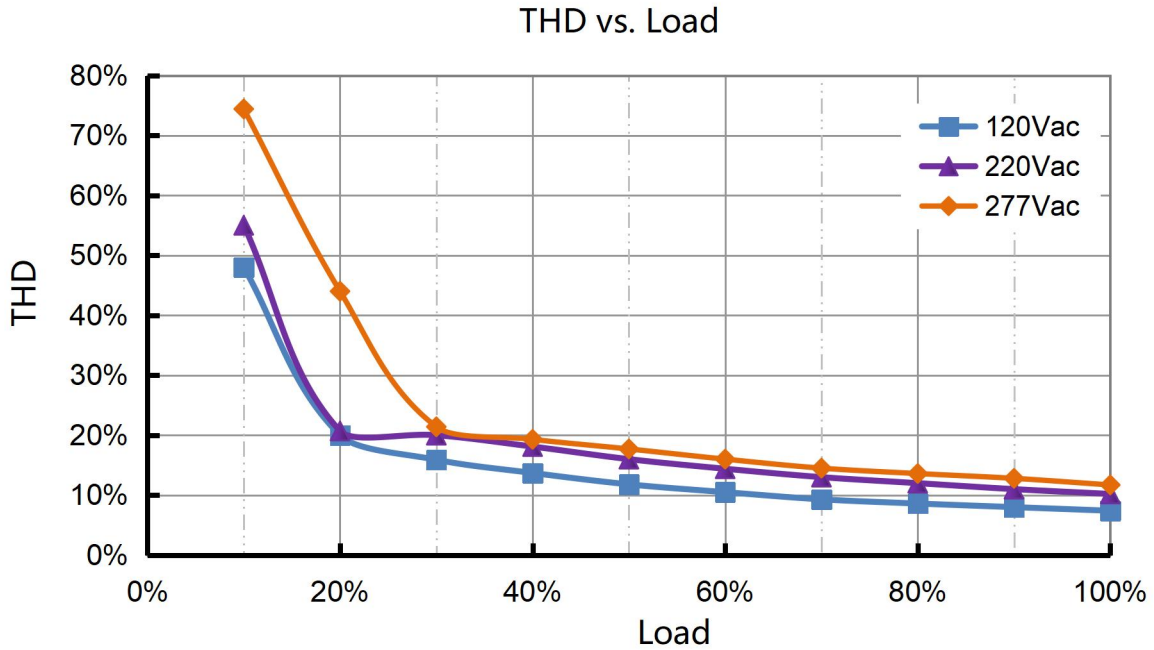


(End of Life: Maximum Failure Rate=10%)

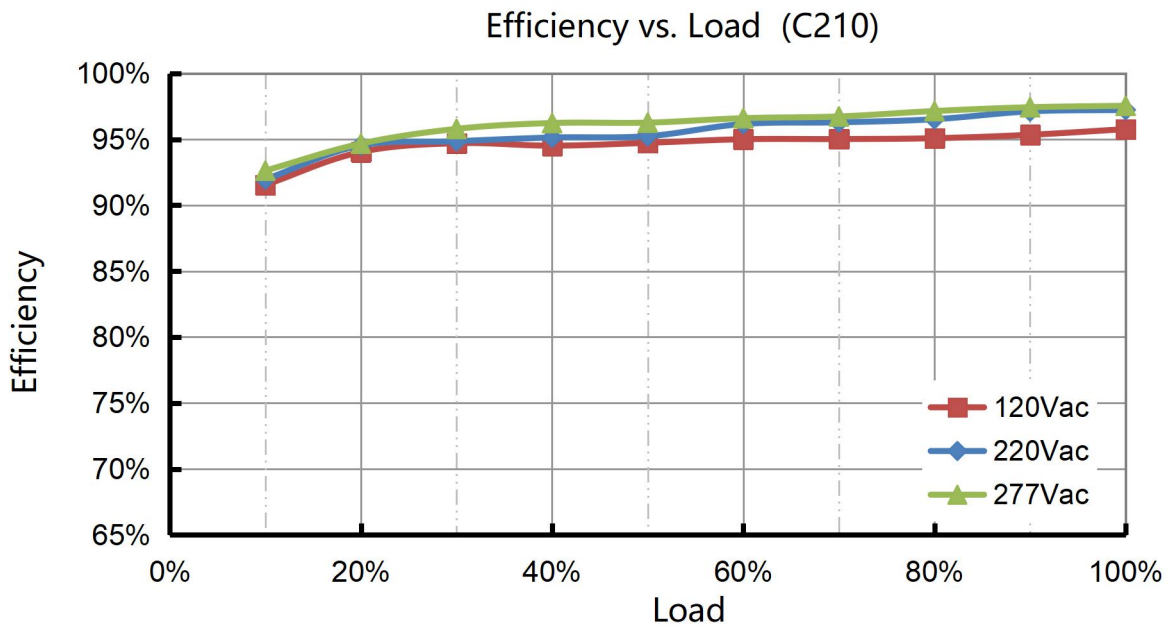
■ Power Factor vs. Load



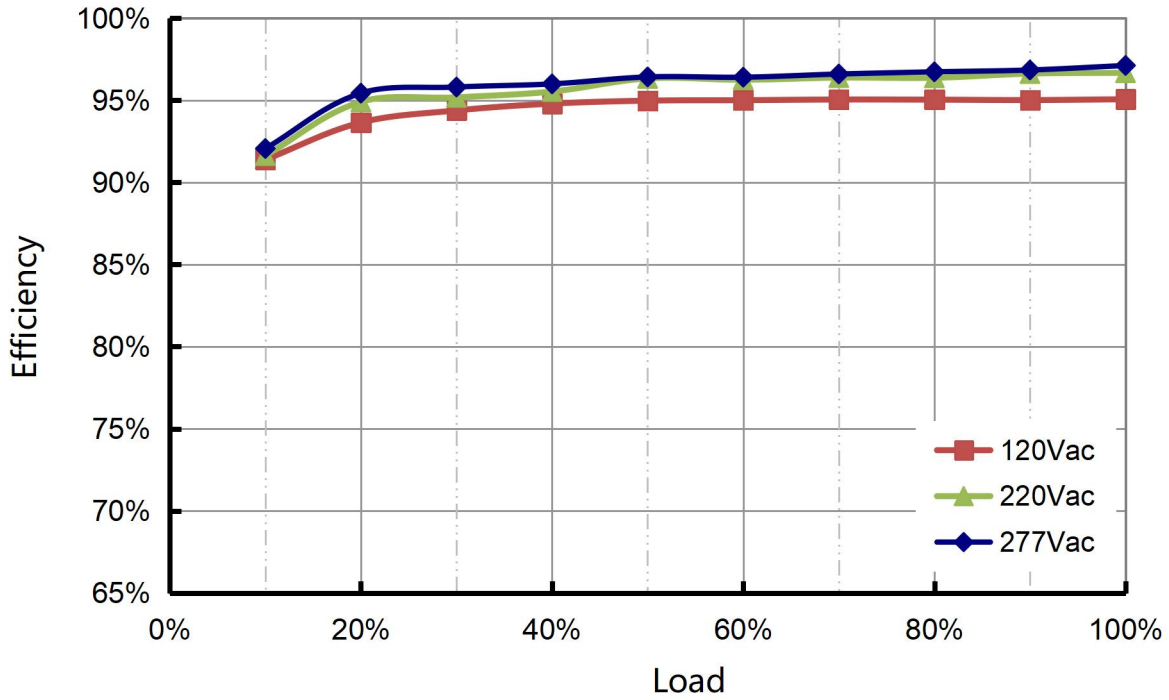
■ THD vs. Load



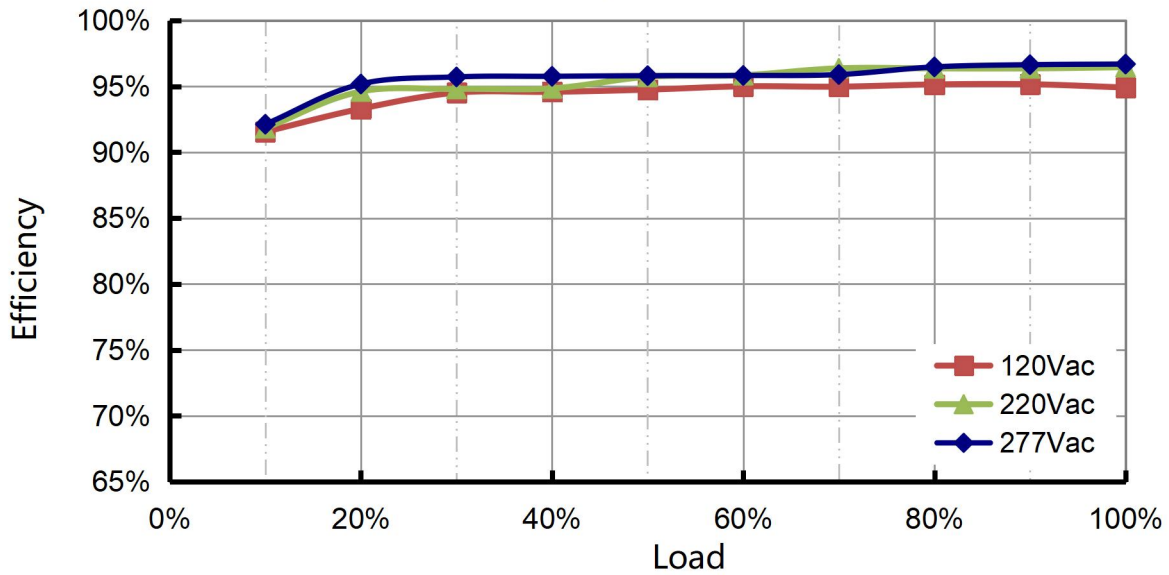
■ Efficiency vs. Load



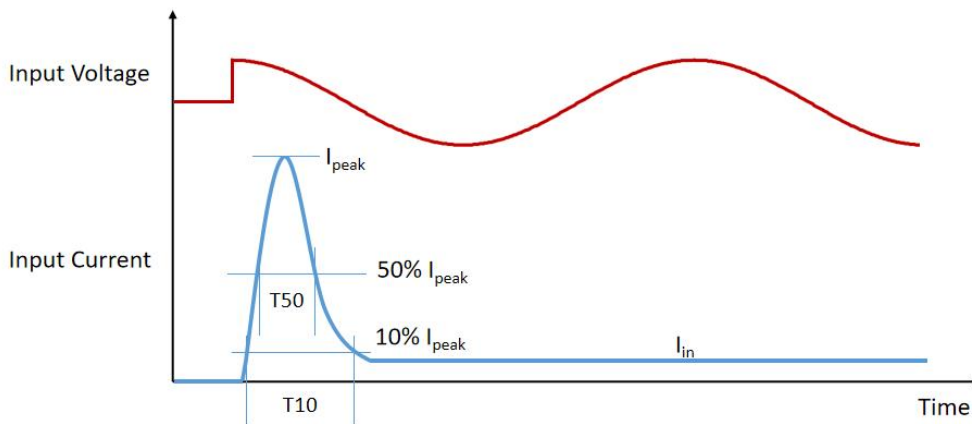
Efficiency vs. Load (C280)



Efficiency vs. Load (C360)



Inrush Current



Input Voltage	I_{peak}	10% -10% T10 Duration	50% -50% T50 Duration
120Vac	3A	60mS	20ms
220Vac	5A	70mS	17ms
277Vac	8A	70mS	17ms

- MCB Suggestion

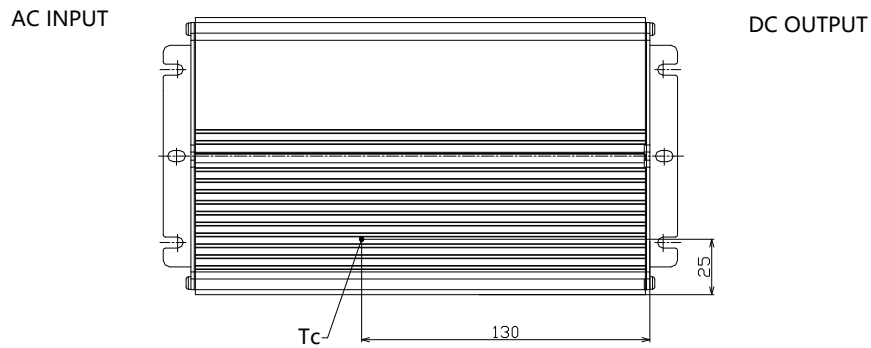
Type	B10	B16	B25	B32	C10	C16	C25	C32	D10	D16	D25	D32
Driver Quantity	2	3	5	6	2	3	6	7	2	4	6	8

Note: Calculated with MCB S200 series manufactured by ABB at 230Vac Input condition

Dielectric Strength

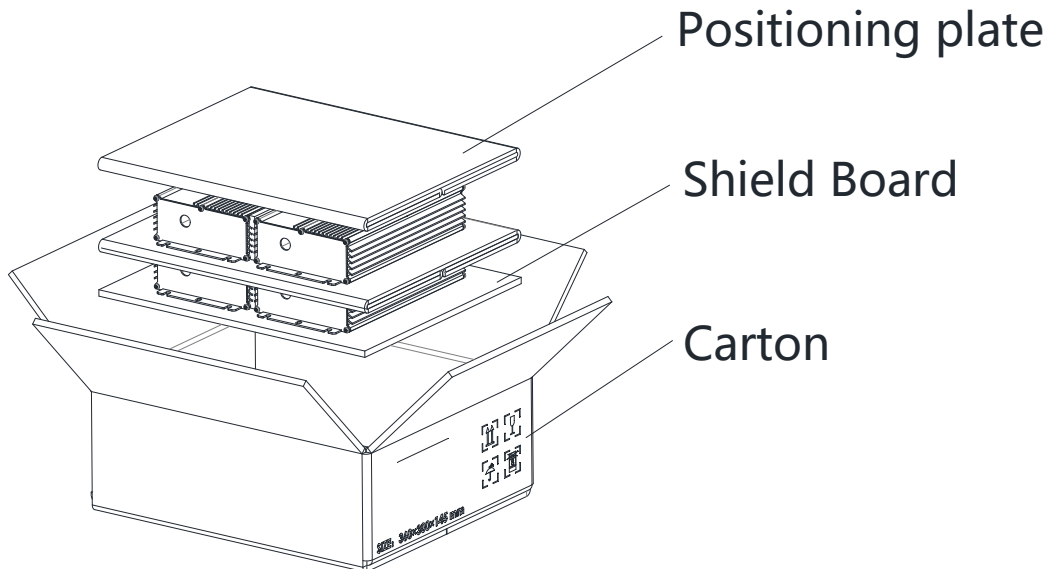
Unit: Vac	Input	Output	Dimming	Case
Input	-	-	3750	1554
Output	-	-	3750	1554
Dimming	3750	3750	-	1554
Case	1554	1554	1554	-

■ Tc Point



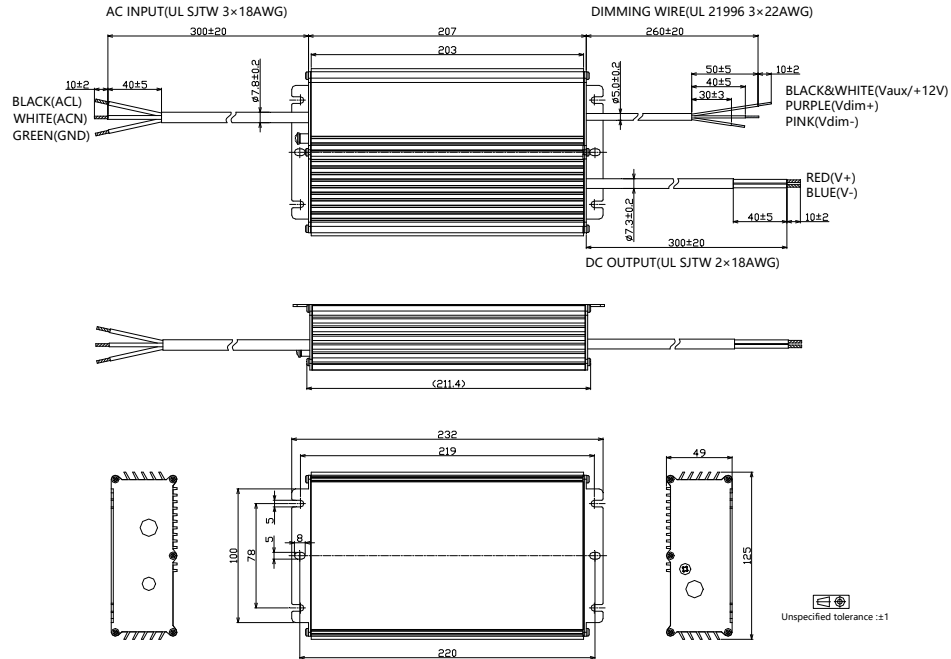
■ Packaging Information

Typical Carton Dimension(L×W×H)	360×300×145 mm
Positioning plate	2pcs/carton
Shield Board	1pcs/carton
LED Drivers/LED	4pcs/carton
Net Weight	9.1 kg/carton
Gross Weight	9.7 kg/carton

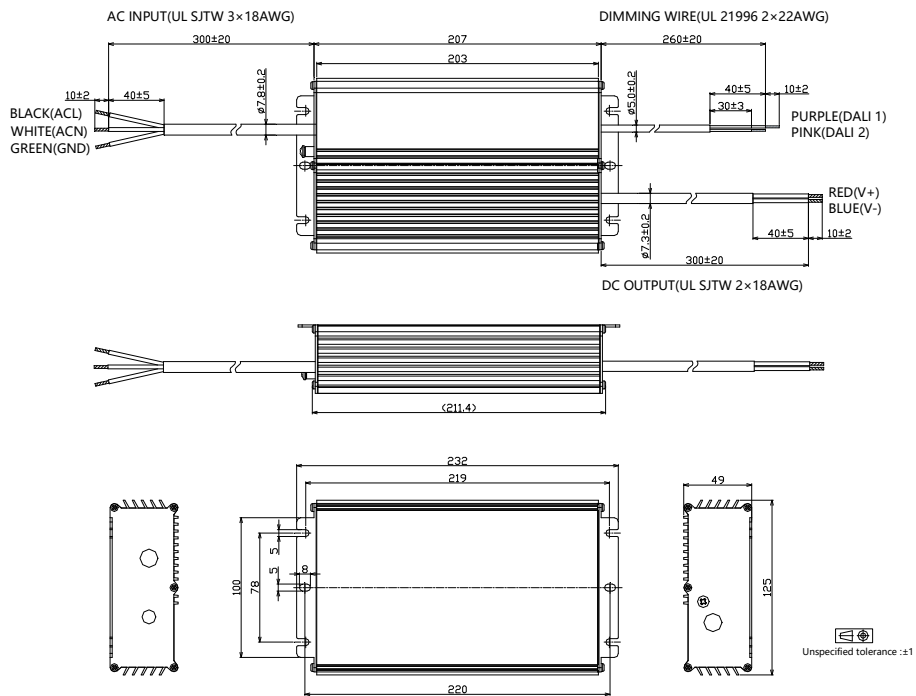


Mechanical Design

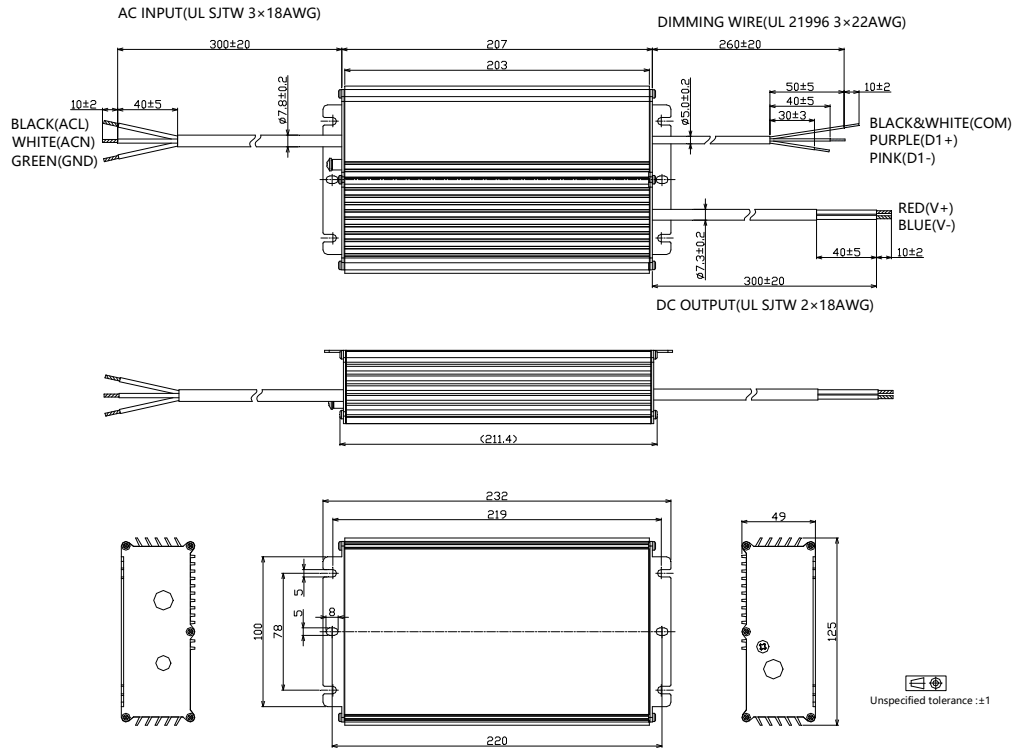
BLK-600-Cxxx-ER/ENU (UL Cable)



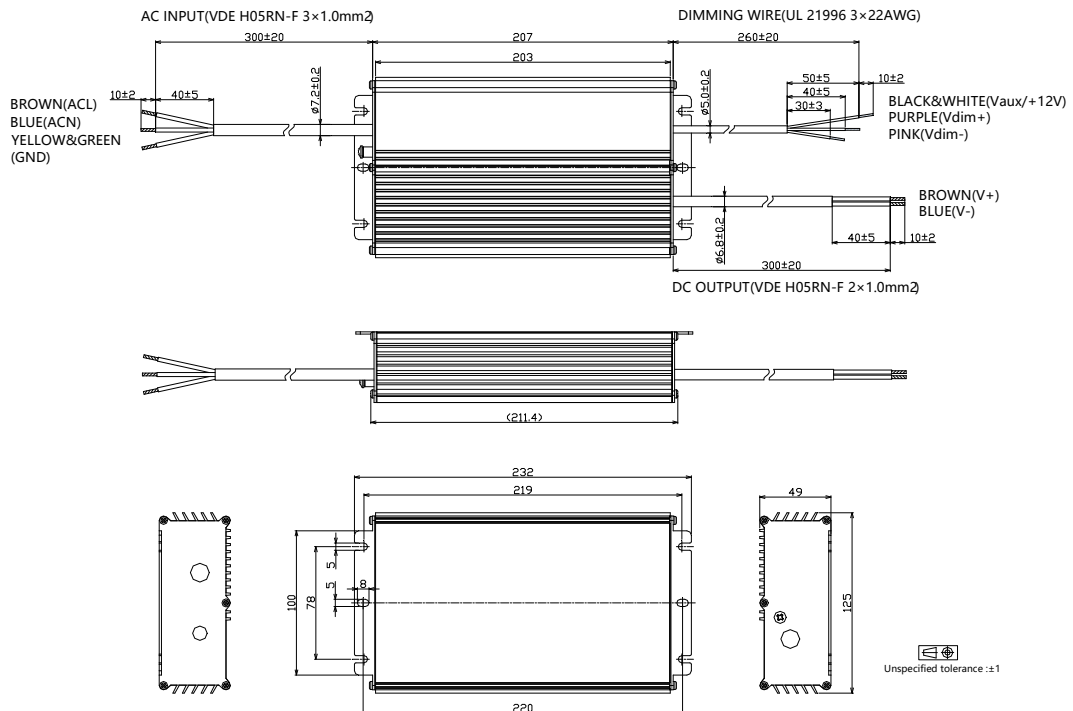
BLK-600-Cxxx-ARU (UL Cable)



- BLK-600-Cxxx-MRU (UL Cable)

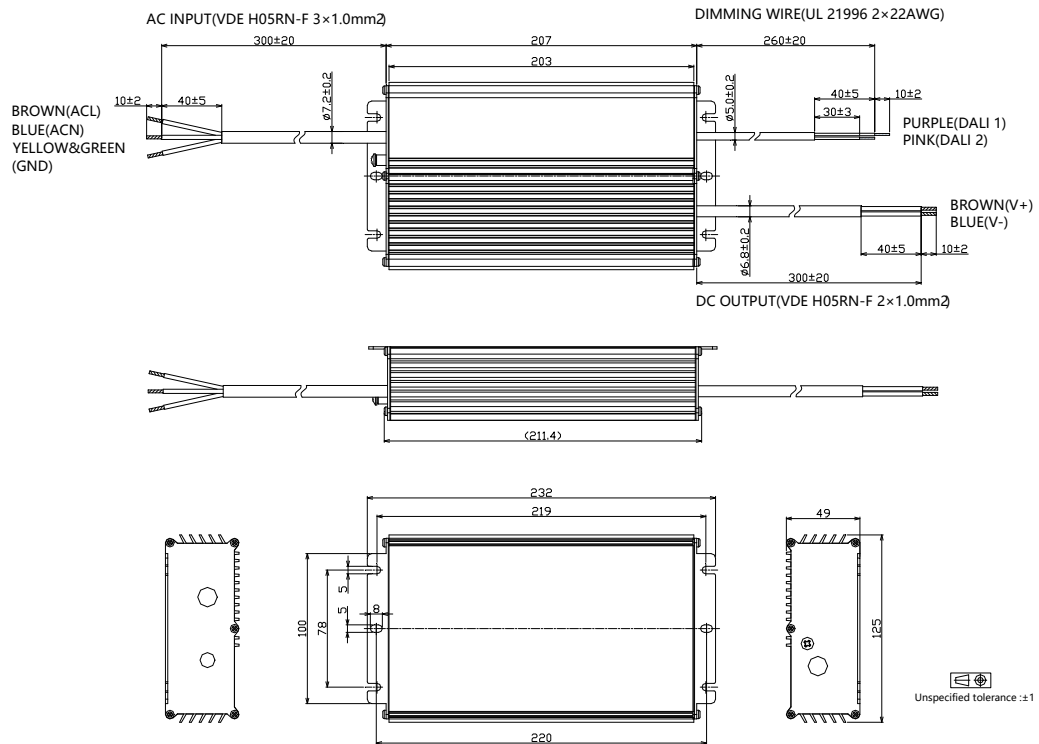


- BLK-600-Cxxx-EN/ERS (VDE Cable)

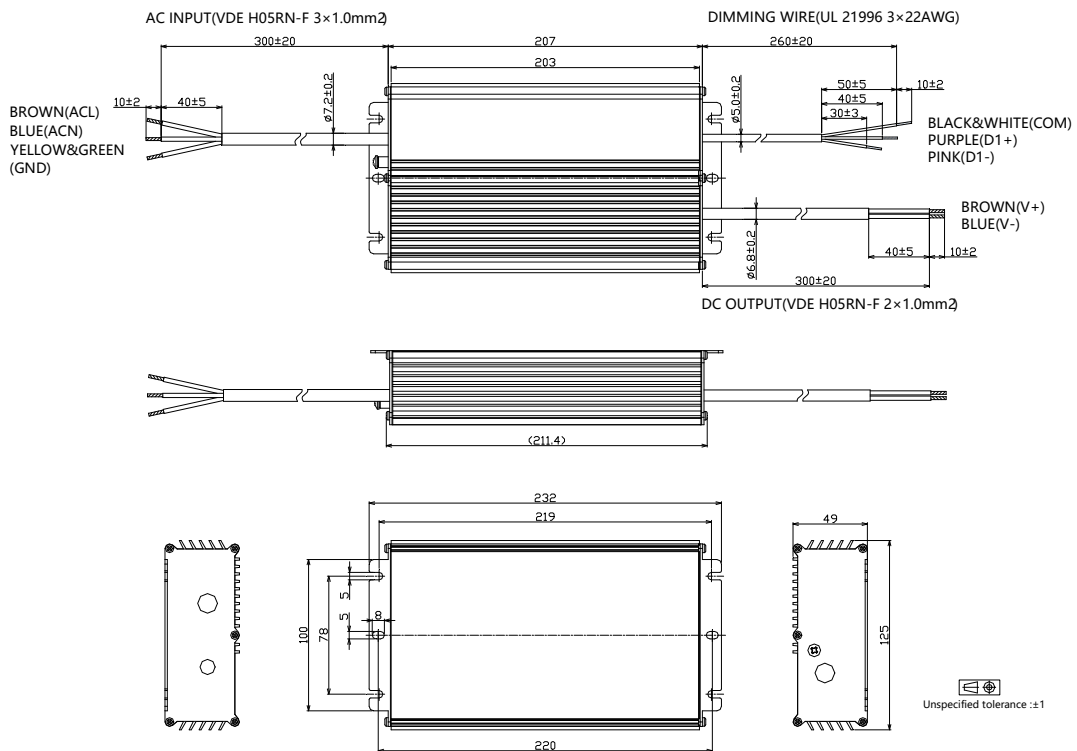


600W, 120-277Vac Input, Non-isolated LED Driver

- BLK-600-Cxxx-ARS (VDE Cable)



- BLK-600-Cxxx-MRS (VDE Cable)



■ Output Operation Range

Model	Typical Set Output Current (mA)	Max Output Power (W)	Output Voltage Min (V)	Output Voltage Max(V)	Minimum Dimming Current (mA)
-C210	2100	600	171	286	210
	2000	600	180	300	200
	1900	600	189	316	190
	1800	600	200	333	180
	1700	600	212	353	170
	1600	565	212	353	170
	1500	529	212	353	170
	1400	494	212	353	170
	1300	459	212	353	170
	1200	424	212	353	170
	1100	388	212	353	170
	1000	353	212	353	170

	170	60	212	353	170

Model	Typical Set Output Current (mA)	Max Output Power (W)	Output Voltage Min (V)	Output Voltage Max(V)	Minimum Dimming Current (mA)
-C280	2800	600	129	214	280
	2700	600	133	222	270
	2600	600	138	231	260
	2500	600	144	240	250
	2400	600	150	250	240
	2300	600	157	261	230
	2200	600	164	273	220
	2100	600	171	286	210
	2000	571	171	286	210
	1900	543	171	286	210
	1800	514	171	286	210
	1700	486	171	286	210

	210	60	171	286	210

600W, 120-277Vac Input, Non-isolated LED Driver

Model	Typical Set Output Current (mA)	Max Output Power (W)	Output Voltage Min (V)	Output Voltage Max(V)	Minimum Dimming Current (mA)
-C360	3600	600	100	167	360
	3500	600	103	171	350
	3400	600	106	176	340
	3300	600	109	182	330
	3200	600	113	188	320
	3100	600	116	194	310
	3000	600	120	200	300
	2900	600	124	207	290
	2800	600	129	214	280
	2600	557	129	214	280

	280	60	129	214	280

■ Revision History

Revision	Date	Contents
A	2023-07-14	1. First release
B	2023-08-31	1. 3.6A model updated
C	2023-12-01	1. Update PF THD and Eff. curves
D	2024-07-16	<ol style="list-style-type: none"> 1. Fast dimming and quick flashing description added 2. Ripple current spec, PstLm, SVA and Percentage Flicker added 3. Power factor, THD, efficiency curves updated by 10-100% load range 4. MCB usage and driver quantity section added 5. Inrush current data updated